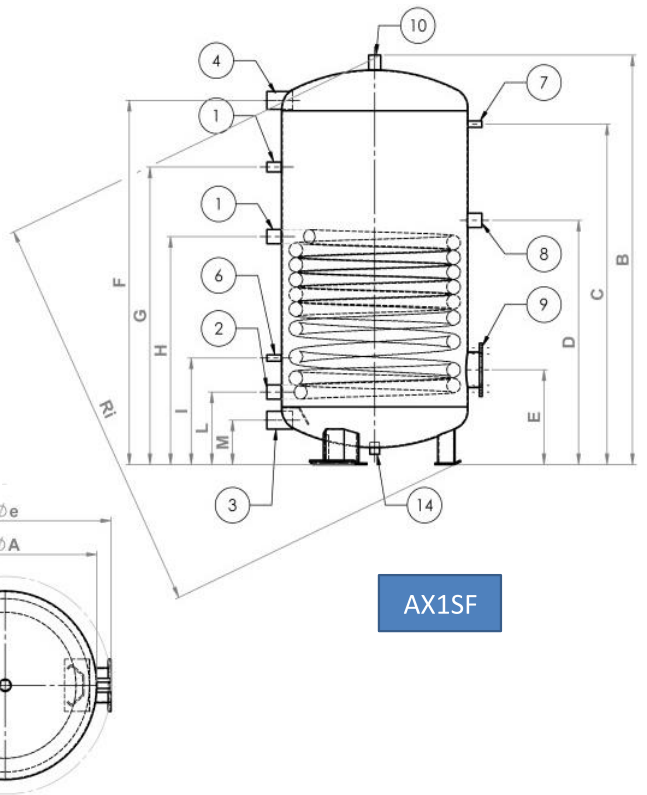
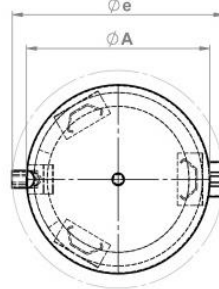


AX2SF



AX1SF



MOD.	INGOMBRI - DIMENSION - ABMESSUNGEN			TIPO DI ATTACCO - ANSCHLUßTYP - CONNECTOR TYPE												
	ØA	ØE	RI	B	C	D	E	F	G	H	I	L	M	N	O	P
200	500	600	1400	1200	975	765	275	1055	865	695	320	205	125	865	975	795
300	500	600	1750	1600	1375	875	295	1375	1110	810	335	220	125	1110	1290	895
400	650	750	1500	1400	1150	825	320	1230	1005	770	360	245	150	1005	1150	860
500	650	750	1850	1650	1400	925	320	1400	1135	870	360	245	150	1135	1315	955
600	650	750	2100	1900	1650	1075	320	1650	1385	940	360	245	150	1385	1565	1205
800	800	1000	2100	1850	1515	985	420	1515	1235	895	490	355	265	1235	1415	1055
1000	800	1000	2350	2100	1765	1195	420	1765	1485	995	505	370	265	1485	1665	1305
1500	1000	1200	2300	2210	1815	1245	545	1815	1580	980	620	410	315	1580	1715	1400
2000	1100	1300	2650	2540	2130	1280	560	2130	1705	1040	635	425	330	1705	1930	1480

MOD.	SERPENTINO - MIT WENDEL- SERPENTINE		PESO - GEWICHT - WEIGHT		TIPO DI ATTACCO - ANSCHLUßTYP - CONNECTOR TYPE												
	INF Mq	SUP Mq	KG indicativi	1	2	3	4	5	6	7	8	9	10	11	12	13	14
200	1,5	0,5	65/70	1"	1"	1"	1"	½"	½"	½"	½"	120/180	1 ¼"	1"	1"	½"	½"
300	1,5	1	80/90	1"	1"	1"	1"	½"	½"	½"	½"	120/180	1 ¼"	1"	1"	½"	½"
400	1,9	1	95/105	1"	1"	1"	1"	½"	½"	½"	½"	120/180	1 ¼"	1"	1"	½"	½"
500	2,1	1,2	105/120	1"	1"	1"	1"	½"	½"	½"	½"	120/180	1 ¼"	1"	1"	½"	½"
600	2,4	1,2	115/130	1"	1"	1"	1"	½"	½"	½"	½"	120/180	1 ¼"	1"	1"	½"	½"
800	2,7	1,5	130/145	1 ¼"	1 ¼"	1 ¼"	1 ¼"	1"	½"	½"	½"	120/180	1 ½"	1 ¼"	1 ¼"	½"	1"
1000	3	1,5	150/165	1 ¼"	1 ¼"	1 ¼"	1 ¼"	1"	½"	½"	½"	120/180	1 ½"	1 ¼"	1 ¼"	½"	1"
1500	3,3	1,8	240/270	1 ¼"	1 ¼"	1 ¼"	1 ¼"	1"	½"	½"	½"	220/290	1 ½"	1 ¼"	1 ¼"	½"	1"
2000	4,4	2,9	300/350	1 ¼"	1 ¼"	1 ¼"	1 ¼"	1"	½"	½"	½"	220/290	1 ½"	1 ¼"	1 ¼"	½"	1"

TIPO DI ATTACCO

1 Ingresso serpentino, Wärmetauscher vorlauf, Input serpentine	10 Mandata acqua calda, Warmwasserzulauf, Hot water inlet
2 Uscita serpentino, Wärmetauscher rucklauf, Exit serpentine	11 Ingresso serpentino superiore, Eingabe Tauscher Oberseite, Exchanger inlet top
3 Entrata acqua fredda, Kaltwasser - Vorlauf, Cold water inlet	12 Uscita serpentino superiore, Ausgang Tauscher Oberseite, Exchanger outlet top
4 Mandata acqua calda, Brauchwarmwasser - Entnahme, Domestic hot water outlet	13 Termostato, Thermostat, Thermostat
5 Ricircolo, Zirkulation, Recirculation	14 Scarico, Entladung, Exhaust
6 Termostato, Thermostat, Thermostat	
7 Termometro, Thermometer, Thermometer	
8 Resistenza elettrica, Elektrischer widerstand, Electrical resistance	
9 Flangia, Flansch, Flange	